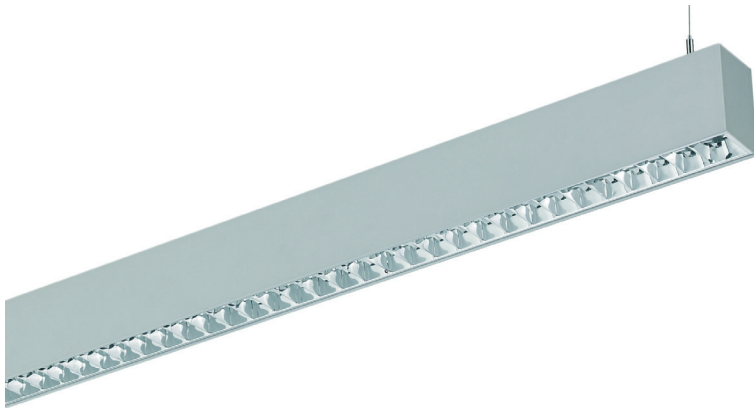


PROLINE

PROLINE Lv

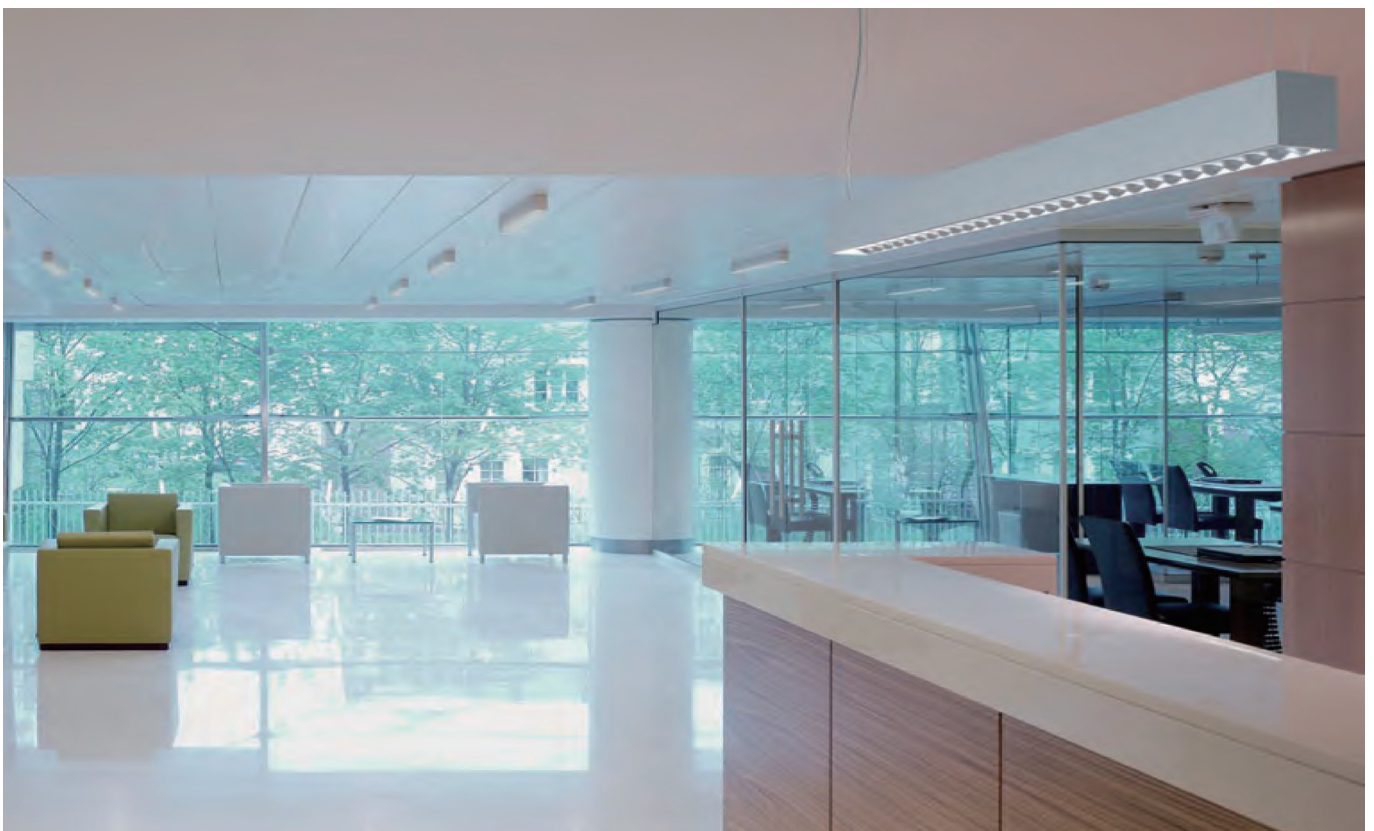


GENERAL SPECIFICATIONS :

Housing	: High pure quality extruded aluminium, anodized or RAL color system epoxy polyester powder coated, UV resistance.
Optics	: High specular double parabolic louvre made of high pure aluminium.
Electrification	: Electronic
Power factor	: >0.98.
Wiring	: Excellent resistance to flammable, aging nature chemical, humidity, UV, electric-insulation (FEP) performance and mechanical strength.
Lamp configuration	: T5 lamp / LED
Color Paint	: Brushed steel RAL9003 Rought white

DESCRIPTIONS : The PROLINE suspended and surface mounted lighting system capitalizes on the slim dimensions of the T5 fluorescent lamp and LED, providing an ultra narrow luminaire which can be configured in a multitude and different ways by all concepts. Its clever yet simple design enables the lighting designer to create a bespoke lighting solution without compromising on lighting performance. The clean lines of the SKYLINE provides an effective solution when mounted direct to a ceiling or in a corner for wall highlighting, and complements a contemporary building design when suspended individually or as a continuous run.

APPLICATIONS : Offices, meeting rooms and conference halls.

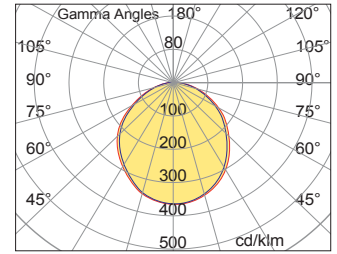
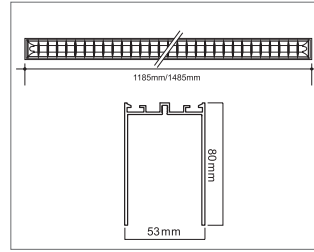


INDOOR

PROLINE Lv

SPECIFICATIONS :

Light Source	LED	T5
Power Consumption	35W	28W / 54
Input Voltage	220-240V	220-240V
Gear Type	700mA	Electronic Ballast
CCT	4000K	4000K
Lumens Output	3026lm	2600 lm / 4450 lm

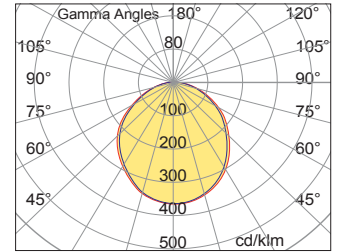
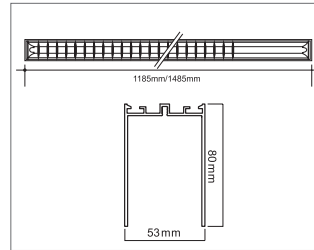


CODE	L	W	H
Proline Lv 28 T5	1185	53	80
Proline Lv 54 T5	1185	53	80
Proline Lv 35 LED	1185	53	80



SPECIFICATIONS :

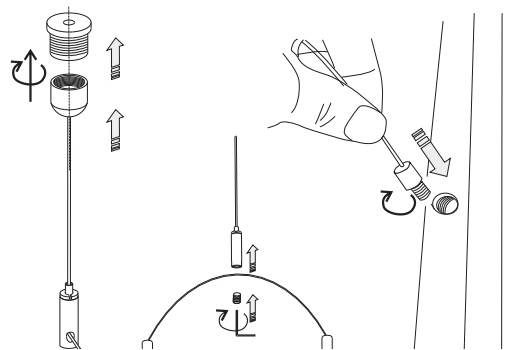
Light Source	LED	T5
Power Consumption	50W	35W/ 49W
Input Voltage	220-240V	220-240V
Gear Type	1050mA	Electronic Ballast
CCT (LED)	4000K	4000K
Lumens Output	4322lm	3300 lm / 4300 lm



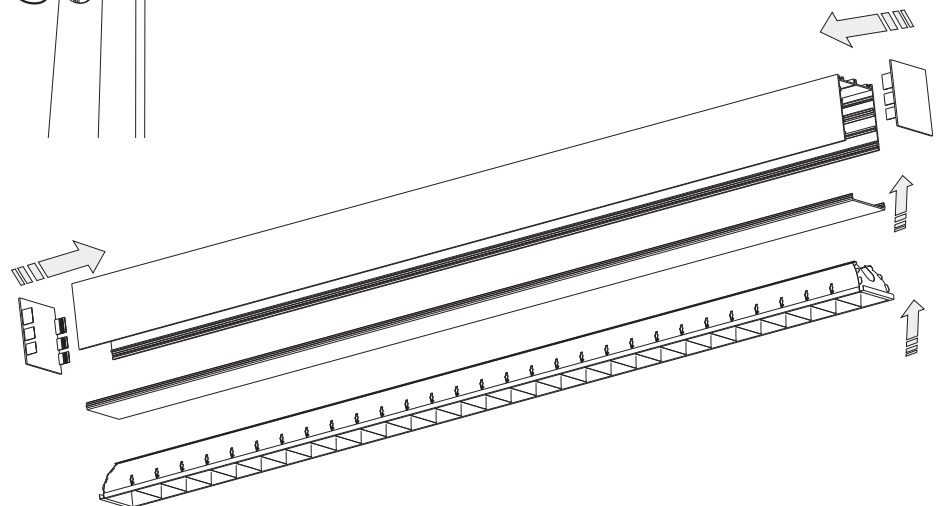
CODE	L	W	H
Proline Lv 35 T5	1485	53	80
Proline Lv 49 T5	1485	53	80
Proline Lv 50 LED	1485	53	80

OPTIONS:

- Dimmable Driver 1 - 10 / DALI
- Backup Emergency Kit 1H/3H
- Ceiling suspension kit (SK)
- Continues line accessories



Suspension Kit



Head office

Malaz - Salahidin Road
PO Box 1246 Riyadh 11431

Tel : +966 11 477 77 00
Fax: +966 11 478 94 69

Western Region Office

Tahliya Street
PO Box 20798 Jeddah 21465

Tel : +966 12 6650888
Fax: +966 12 6633413

Eastern Region Office

King Abdulaziz Street
PO Box 8492 Dammam 31482

Tel : +966 13 8336509
Fax: +966 13 8329065

ContactUs@noortek.com



www.noortek.com