



EXIT SIGN

EXITEK LED



SPECIFICATIONS :

Mounting	: Wall/Ceiling/Recessed/Suspended
Lamp type	: LED
Control gear type	: Electronic LED kit
Operating mode	: Maintain / Non Maintain
Voltage Rating/ Freq.	: 220-240V / 50-60 Hz
Degree of protection	: IP 20
Internal Wiring	: 0.5 mm sq solid copper wire PVC 105 deg C
Cable entry	: Side or rear cable entry
Cable connection	: Terminal block, 3-pole, screw type
Conformity	: IEC 60598 / SASO 1318

DESCRIPTIONS : EXITEK is a multi mounting exit sign (Wall/Ceiling/Recessed/Suspended) of 0.6 mm steel housing finished with 3-stages pretreatment electrostatic powder coating with Maintained and Non-Maintained 3 hrs Emergency Kit. (1.5 Hr. as option). This type is suitable for all types of walls and ceilings.

APPLICATIONS : Schools, offices and passages, hospitals, parking and theaters



EXIT SIGN

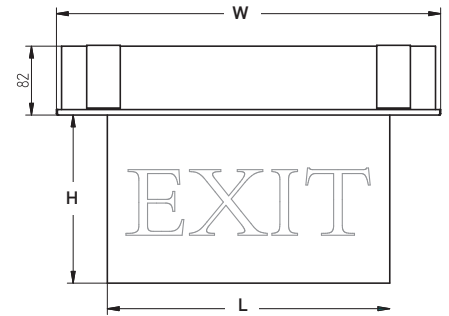
EXITEK

CODE	L	W	H
EXIT (WAL/METAL) M-3hr LED-3W - ARABIC/ENGLISH (WH)	340	457	156
EXIT (CEILING/METAL) M-3hr LED-3W - ARABIC/ENGLISH (WH)	340	457	156
EXIT (REC/METAL) M-3hr LED-3W - ARABIC/ENGLISH (WH)	340	457	156
EXIT (SUS/METAL) M-3hr LED-3W - ARABIC/ENGLISH (WH)	340	457	156

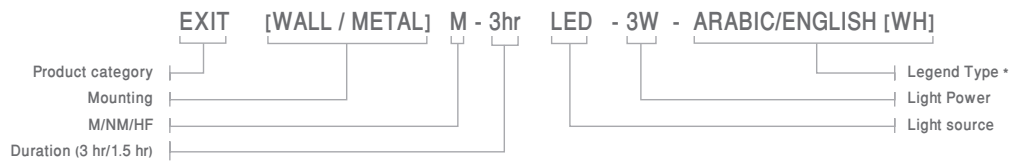
CODE	L	W	H
EXIT (WAL/METAL) NM-3hr LED-3W - ARABIC/ENGLISH (WH)	340	457	156
EXIT (CEILING/METAL) NM-3hr LED-3W - ARABIC/ENGLISH (WH)	340	457	156
EXIT (REC/METAL) NM-3hr LED-3W - ARABIC/ENGLISH (WH)	340	457	156
EXIT (SUS/METAL) NM-3hr LED-3W - ARABIC/ENGLISH (WH)	340	457	156

OPTIONS:

- Emergency duration for 1.5 Hrs.
- High frequency (HF) electronic LED driver for central battery systems (CBS) compatibility
- DALI Emergency kit 1.5Hr/3Hr.



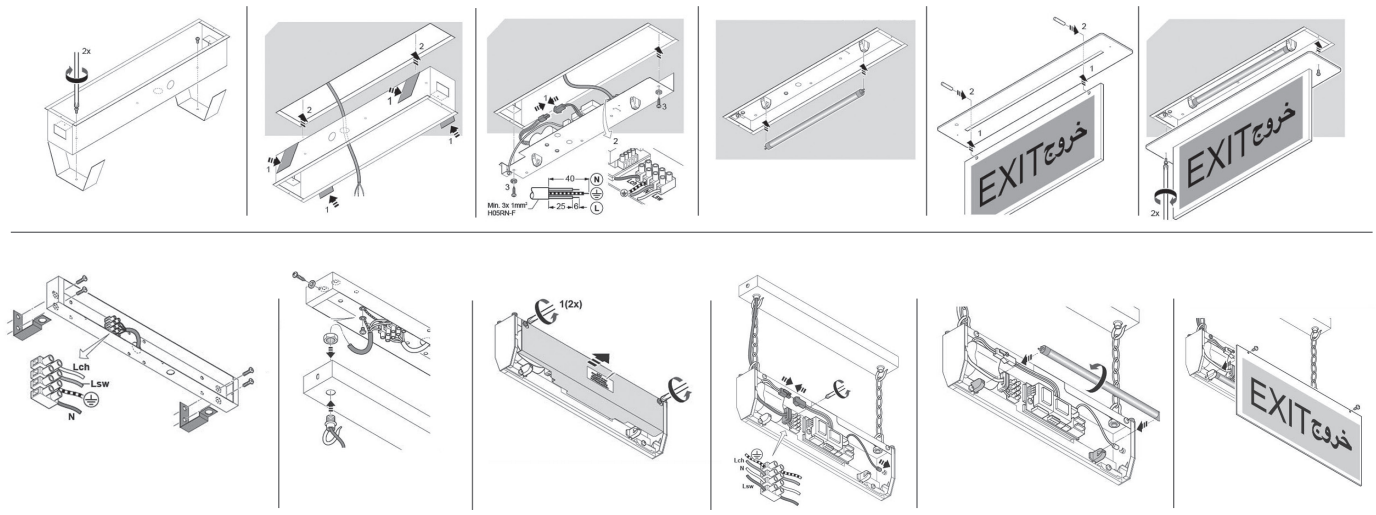
Ordering Example



*** Available engraved legends**

- ARABIC/ENGLISH
- ARROW UP
- ARROW DOWN
- ARROW LEFT
- ARROW RIGHT
- Other custom legend designe up on request.

Mounting System



Head office

Malaz - Salahidin Road
P.O Box 1246 Riyadh 11431

Tel : +966 11 477 77 00
Fax: +966 11 478 94 69

Western Region Office

Tahliya Street
P.O Box 20798 Jeddah 21465

Tel : +966 12 6650888
Fax: +966 12 6633413

Eastern Region Office

King Abdulaziz Street
P.O Box 8492 Dammam 31482

Tel : +966 13 8336509
Fax: +966 13 8329065

ContactUs@noortek.com



www.noortek.com